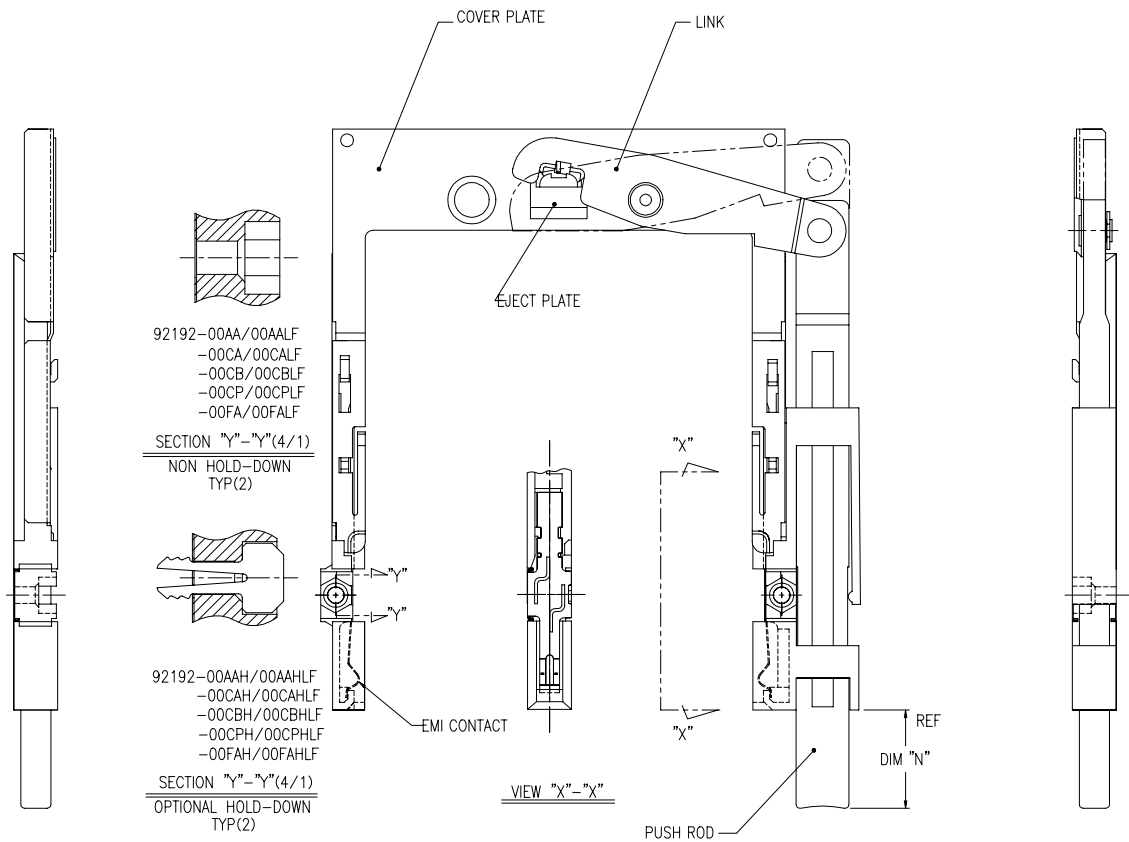


PRODUCT NO.	
92192-00AA/00AALF	△
92192-00AAH/00AAHLF	△
92192-00CA/00CALF	△
92192-00CAH/00CAHLF	△
92192-00CB/00CBLF	△
92192-00CBH/00CBHLF	△
92192-00CP/00CPLF	△
92192-00CPH/00CPHLF	△
92192-00FA/00FALF	△
92192-00FAH/00FAHLF	△

REVISIONS				
REV	DESCRIPTION	ECN	BY	DATE
A	RELEASED	J30053	N.T	2/17/93
B	REVISED	J40163	M.K	5/26/94
C	REVISED	V40646	M.K	6/24/94
D	REVISED	V40840	M.K	7/ 5/94
E	REVISED	J40198	M.K	7/19/94
F	REVISED	V32113	M.K	12/21/94
G	REVISED	J40349	M.K	1/9/94
H	REVISED	N05-0280	M.Z	11/09/05
N				



92192-00AA/00AALF
 -00CA/00CALF
 -00CB/00CBLF
 -00CP/00CPLF
 -00FA/00FALF

SECTION "Y"-"Y"(4/1)
 NON HOLD-DOWN
 TYP(2)

92192-00AAH/00AAHLF
 -00CAH/00CAHLF
 -00CBH/00CBHLF
 -00CPH/00CPHLF
 -00FAH/00FAHLF

SECTION "Y"-"Y"(4/1)
 OPTIONAL HOLD-DOWN
 TYP(2)

VIEW "X"-"X"

NOTE

- EJECT PLATE MOVE ALONG INSIDE WALL OF COVER PLATE SMOOTHLY AFTER ASSEMBLING WITH HDR ASSY.
- MATERIAL
 - GUIDE : POLYPHTHARAMID UL94V-0 BLACK
 - PUSH ROD : FLAME RETARDANT UL94V-0 BLACK/BLUE
 - PLATE : STAINLESS
 - EMI CONTACT : PHOSPHOR BRONZE
 - HOLD-DOWN : BRASS
- FINISH
 - EMI CONTACT UNDER PLATING : 2.0 μ m MIN. Ni
 - CONTACT AREA : 0.5 μ m MIN. Au
- RECOMMENDED PCB HOLE (OPTIONAL HOLD-DOWN) : 2.3 \pm 0.1



SHEET INDEX	ISSUE SH NO.	MAT	DR	DATE	CUSTOMER COPY
		SEE NOTE ②	J. Omata	12/21/94	
LINEAR		FINISH	M. Kajiwara		THIRD ANGLE PROJ
ANGLES		SEE NOTE ③			UNIT MM

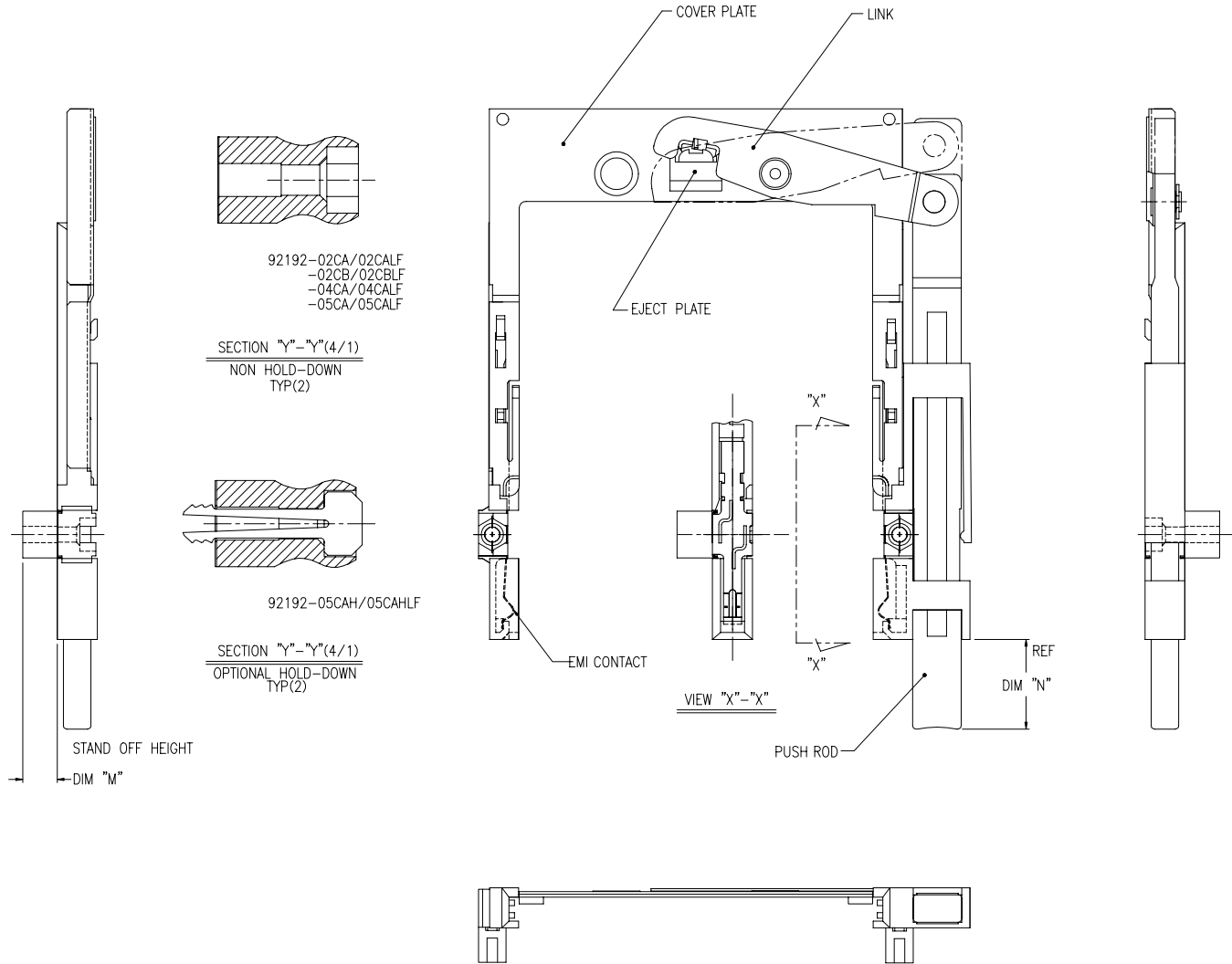
FCJ

TITLE: 68P EJECTOR HEADER TYPE 1/II/III MECHANISM ASSY

SCALE: 2/1 SIZE: C DWG. NO.: 92192 REV: N SHEET: 2 of 2

PRODUCT NO.	
92192-02CA/02CALF	H
92192-02CB/02CBLF	H
92192-04CA/04CALF	H
92192-05CA/05CALF	H
92192-05CAH/05CAHLF	G H

REVISIONS				
REV	DESCRIPTION	ECN	BY	DATE
A	RELEASED	J30053	N.T	2/17/93
B	REVISED	J40163	M.K	5/26/94
C	REVISED	V40840	M.K	7/ 5/94
D	REVISED	J40198	M.K	7/19/94
E	REVISED	V32113	M.K	12/20/94
F	REVISED	J40349	M.K	1/9/95
G	REVISED (ADDED-05CAH)	J70134	K.S	8/8/97
H	REVISED (ADDED"LF")	N05-0260	MZ	11/09/05
N				



NOTE

- EJECT PLATE MOVE ALONG INSIDE WALL OF COVER PLATE SMOOTHLY AFTER ASSEMBLING WITH HDR ASSY.

② MATERIAL

- GUIDE : POLYPHTHARAMID UL94V-0 BLACK
- PUSH ROD : FLAME RETARDANT UL94V-0 BLACK
- PLATE : STAINLESS
- EMI CONTACT : PHOSPHOR BRONZE
- STAND OFF : ZINC ALLOYS DIE CASTING

③ FINISH

- EMI CONTACT
- UNDER PLATING : 2.0 μ m MIN. Ni
- CONTACT AREA : 0.5 μ m MIN. Au
- STAND OFF : 3~5 μ m Ni OVER 5~10 μ m Cu.

SHEET INDEX	ISSUE SH NO.	TOLERANCES UNLESS OTHERWISE SPECIFIED	MAT SEE NOTE ②	DR <i>J. Ono</i>	DATE 8/8/97	CUSTOMER COPY	TITLE
LINEAR				ENGR <i>K. Suguki</i>	8/8/97		68P EJECTOR HEADER TYPE I / II / III MECHANISM ASSY
ANGLES				CHK		THIRD ANGLE PROJ	SCALE 2/1
							SIZE C
							DWG. NO. 92192
							REV N
							SHEET 3 of 3



